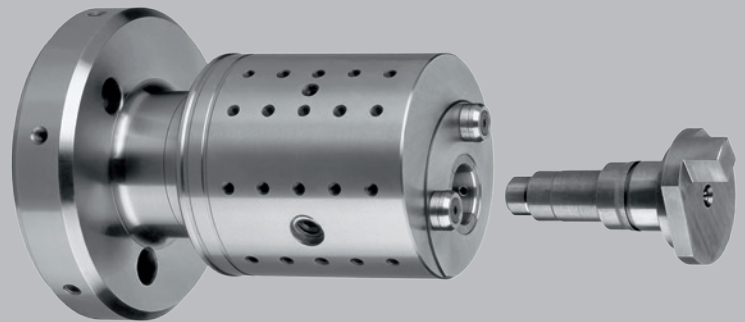


# myTEC<sup>®</sup>

## HYDRACLAMP<sup>®</sup>

MECHANICAL and HYDRA-MECHANICAL  
> CLAMPING TOOLS <

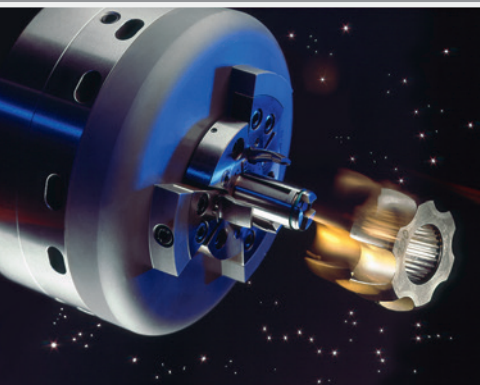


- NEW -

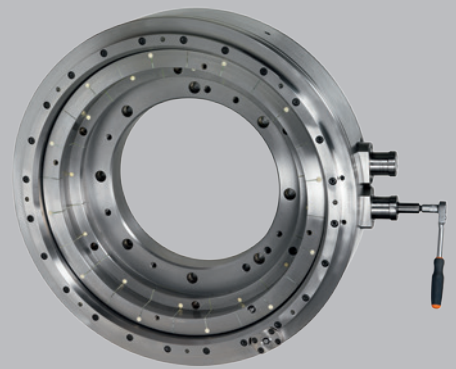
> PERMAN-SYSTEM<sup>®</sup> <

WORKHOLDING

# - NEW - > PERMAN-SYSTEM ® <



## About Mytec Workholding



Mytec -Hydraclamp- has been dedicated to development and manufacture of high-precision clamping tools for workpiece and tool clamping since the company was founded.

Particularly mechanical and Hydra-mechanical clamping technology.

Mytec -Hydraclamp- has been known for decades in the main sectors of the tool construction, metalworking and machine building industries.

Our corporate goal is to achieve a high level of customer satisfaction through leading technical solutions and unlimited application orientation.

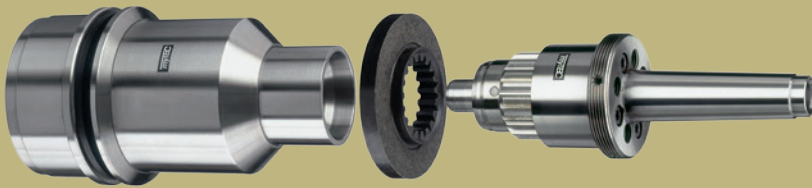
Constant innovation is an important success factor in this process.

Clamping tools from Mytec -Hydraclamp- are in use at well-known companies, particularly in the automotive and aircraft industry, including suppliers, machine tool and machinery building, pump manufacturers, and the electronics industry.

**high**



**precision  
clamping**



## Corporate

Mytec -Hydraclamp- is an innovative partner of the precision industry, with the core task of satisfying today's increasing quality requirements through development and manufacturing of highly precise clamping tools for turning, hobbing, grinding, measuring and testing, and to contribute to our customer's increased competitive ability.

Talk with our engineering department when high-precision workpiece and tool clamping are involved.

HYDRA-MECHANICAL-EXPANDING-ARBOR  
clamping dia. 72 mm

**WORKPIECE:**  
Gear wheel

**OPERATION:**

- Grinding the external tothing
- Milling the external tothing

**DESCRIPTION:**

- Direct operating  
(hydraulic system machine)
- Runout accuracy < 0.005 mm
- High loading clearances
- Part present control (air sensing)
- Modular design, collet interchangeable
- Collet vulcanized, with hard coating



# MECHANICAL >EXPANDING< CLAMPING TOOLS

- NEW -  
> PERMAN-SYSTEM<sup>®</sup> <



**WORKPIECE:** Cam lobe



**MECHANICAL-EXPANDING-ARBOR**

clamp. dia. 24 mm

## DESCRIPTION:

- Powered by a stack up of springs (integrated)
- Runout accuracy < 0.005 mm
- High loading clearances (automatic loading)
- Modular design, collet interchangeable
- Collet vulcanized, with hard coating

## OPERATION:

- Grinding the external contour between centers



**WORKPIECE:** Ring gear



**MECHANICAL-EXPANDING-ARBOR**

clamp. dia. 70 mm

## DESCRIPTION:

- Power operated (drawbar)
- Runout accuracy < 0.005 mm
- High loading clearances
- Modular design, collet interchangeable
- Collet vulcanized, with hard coating

## OPERATION:

- Milling the external toothing





**MECHANICAL-FLANGED-CHUCK** clamp. dia. 185 mm

**DESCRIPTION:**

- Power operated (drawbar)
- High loading clearances
- 0.01 mm clamping repeatability
- Retractable workpiece stop
- Modular design, collet interchangeable

**WORKPIECE:** Disc carrier



**OPERATION:**

- Turning the internal contour

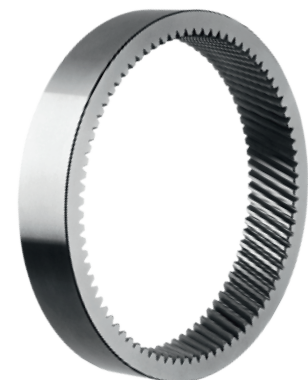


**HYDRA-MECHANICAL-EXPANDING-ARBOR** clamp. dia. 120 mm

**DESCRIPTION:**

- Direct operating (hydraulic system machine)
- 0.005 mm clamping repeatability
- Part present control (air sensing)
- Conical taper mechanism
- Short clamping length

**WORKPIECE:** Gear wheel

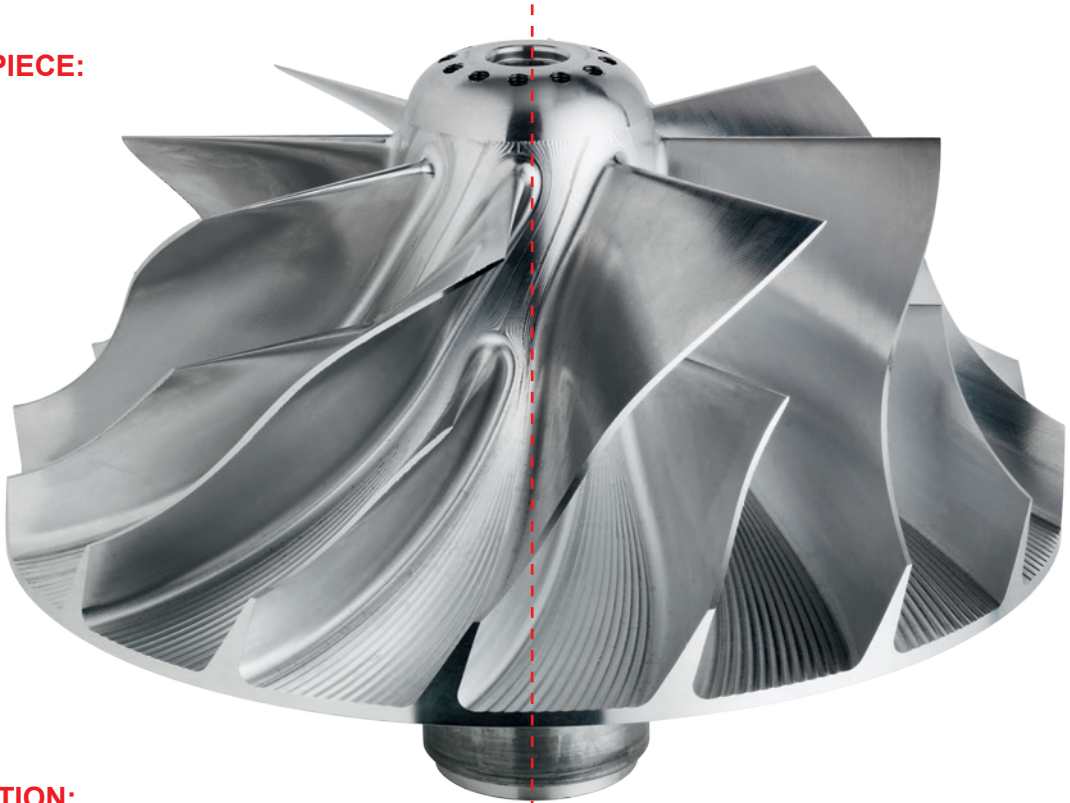


**OPERATION:**

- Grinding the external contour

## HYDRA-MECHANICAL-COLLET-CHUCK clamping dia. 72 mm

**WORKPIECE:**  
Impeller



**OPERATION:**

- Milling the external contour
- Drilling the front-holes



**DESCRIPTION:**

- Power operated by the pull rod at the machine
- High loading clearances
- High gripping force
- Pull-back design
- Modular design, collet interchangeable

## PRODUCTS

Mechanical expansion arbors  
"System Perman"

Mechanical expansion chucks  
"System Perman"

Hydraulic expansion arbors  
Hydraulic expansion chucks

Hydraulic expansion arbors  
Hydraulic expansion chucks  
with profiled expansion sleeve

Complete clamping fixtures  
including peripheral tooling

Machine spindles with integrated  
hydraulic expansion technology

Electronic clamping pressure  
control System "Power Control"

**MYTEC**  
Präzisionswerkzeuge GmbH  
Max-Braun-Strasse 1  
D-97828 Marktheidenfeld, Germany  
verkauf@mytec.de

**myTEC**<sup>®</sup>  
HYDRACLAMP<sup>®</sup>

[www.mytec.de](http://www.mytec.de)